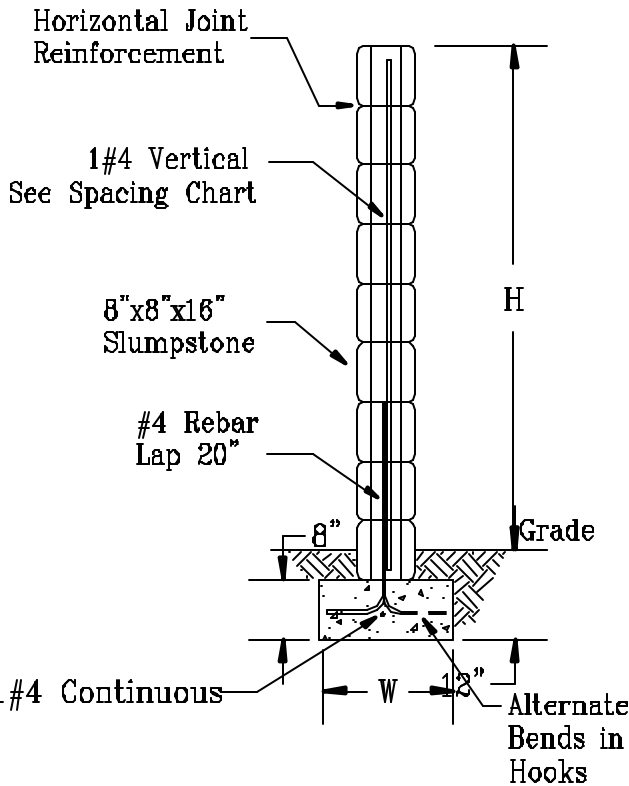
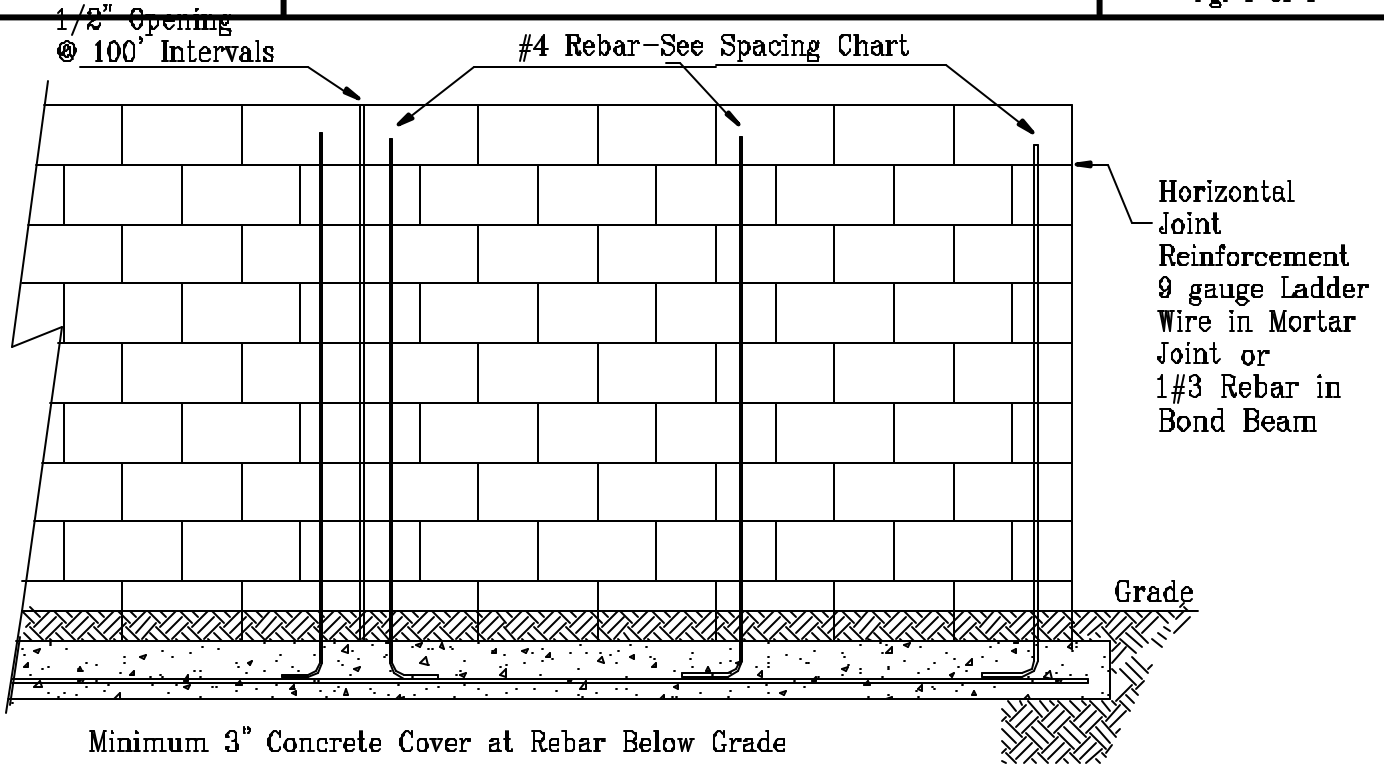


SLUMPSTONE FENCE



Wall Height	Min. Wall Thickness	Rebar Spacing	Width of Footing
4'0"	6"	48"oc	12"
5'0"	8"	48"oc	14"
6'0"	8"	48"oc	16"
7'0"	8"	32"oc	20"
8'0"	8"	32"oc	22"

Grout Proportions; 1 Part Cement, 3 Parts Sand,  
 2 Parts Pea Gravel  
 Mortar Proportions: 1 Part Cement, 1/2 Part Lime,  
 4 1/2 Parts Sand  
 Concrete Minimum 2000 psi  
 Grout All Cells With Rebar

Typical Hook is Minimum  
 12 Bar Diameters  
 6" for #4

INSPECTIONS REQUIRED

1. Footings Prior to Placing Concrete
2. Wall Steel Prior to Grouting
3. Final Inspection After Completion